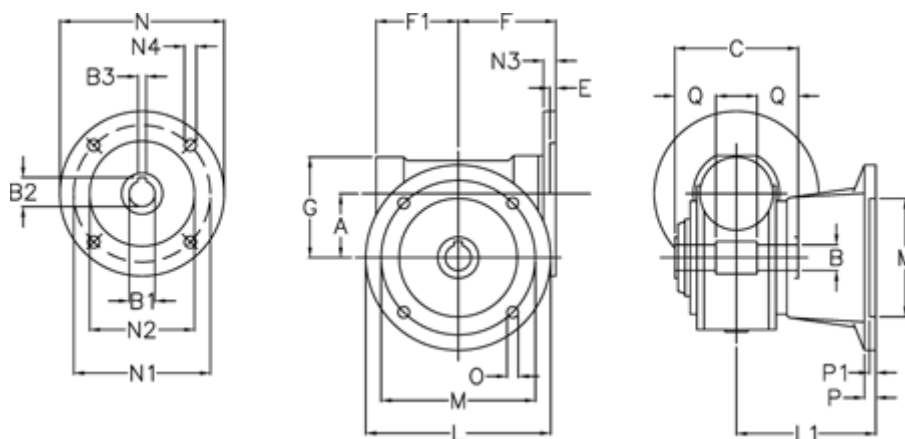


Data Sheet



Article number: 390204404662210
Description: Worm gear
VF 44-FA2-46-63B5

Measures



| | | |
|------------|----------|-----------|
| A = 44.6 | F1 = 54 | N2 = 95 |
| B = 18 H7 | G = 71 | N3 = 10.5 |
| B1 E7 = 11 | L = 110 | N4 = 9.5 |
| B2 = 12.8 | L1 = 90 | O = 8.5 |
| B3 H9 = 4 | M = 87 | P = 9 |
| C = 64 | M1 = 60 | P1 = 7 |
| E = 2 | N = 140 | Q = 24.5 |
| F = 65 | N1 = 115 | |